

8" Anti-Entrapment Suction Outlet Cover and Frame

VGB Series

Product Specification Sheet

The AquaStar line of suction outlet covers, compliant with the new Virginia Graeme-Baker Pool and Spa Safety Act (ASME/ANSI A112.19.8a-2008)

Features

For single or multiple drain use
(see installation instructions)

Single

Floor: 88 GPM at 3.2 fps
Wall: 70 GPM at 2.6 fps

Dual

Floor: 88 GPM at 1.6 fps
Wall: 70 GPM at 1.3 fps

Triple system

Floor: 176 GPM at 2.1 fps
Wall: 140 GPM at 1.7 fps
Floor/wall: 123 GPM at 1.5 fps

8.8 square inch opening

#316 stainless steel screws

Manufactured from superior
UV-resistant engineered polymers

Meets or exceeds NSF 50/ASME/ANSI
A112.19.8a-2008 national standards
and ASTM G154 UV testing

Listed with IAPMO R&T

50 per case

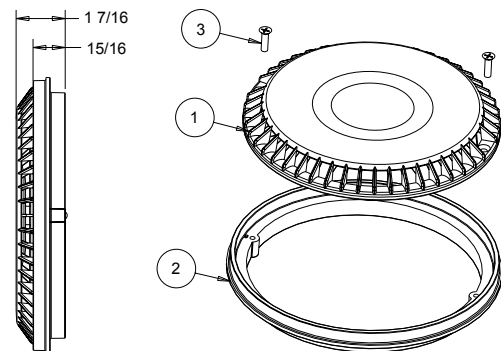
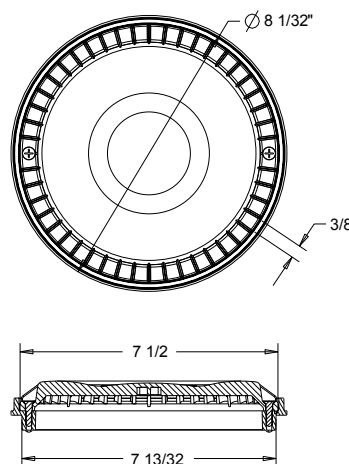


Model # 8AVxxx

Part Numbers / Colors

- 8AV101 White
- 8AV102 Black
- 8AV103 Lt. Gray
- 8AV104 Blue
- 8AV105 Dk. Gray
- 8AV106 Bone
- 8AV107 Taupe
- 8AV108 Tan

**VGB 2008
Compliant**



1. 8" anti-entrapment cover
2. 8" anti-entrapment frame
3. #10 flat head phillips screw, stainless steel, qty 2