

**AQUASTAR**  
pool products



**A Safe Drain is No Accident™**

## 8" Low-Profile Anti-Entrapment Suction Outlet Cover and Frame

### VGB Series

#### Product Specification Sheet

The AquaStar line of suction outlet covers, compliant with the new Virginia Graeme-Baker Pool and Spa Safety Act (ASME/ANSI A112.19.8a-2008)

#### Features

For single or multiple drain use  
(see installation instructions)

##### Single

Floor: 100 GPM at 4.2 fps  
Wall: 70 GPM at 2.9 fps

##### Dual

Floor: 100 GPM at 2.1 fps  
Wall: 70 GPM at 1.5 fps

##### Triple system

Floor: 200 GPM at 2.8 fps  
Wall: 140 GPM at 1.9 fps  
Floor/wall: 108 GPM at 1.5 fps

7.7 square inch opening

#316 stainless steel screws

Manufactured from superior  
UV-resistant engineered polymers

Easily and safely retrofits to most brand's  
existing frames and sumps that RLP8AVxxx  
does not fit\* (see cross-reference chart and  
installation instructions for details)

Patent-pending Flow-Max® technology

Super low profile eliminates cleaner hang-ups

Meets or exceeds NSF 50/ASME/ANSI  
A112.19.8a-2008 national standards  
and ASTM G154 UV testing

Listed with IAPMO R&T

50 per case



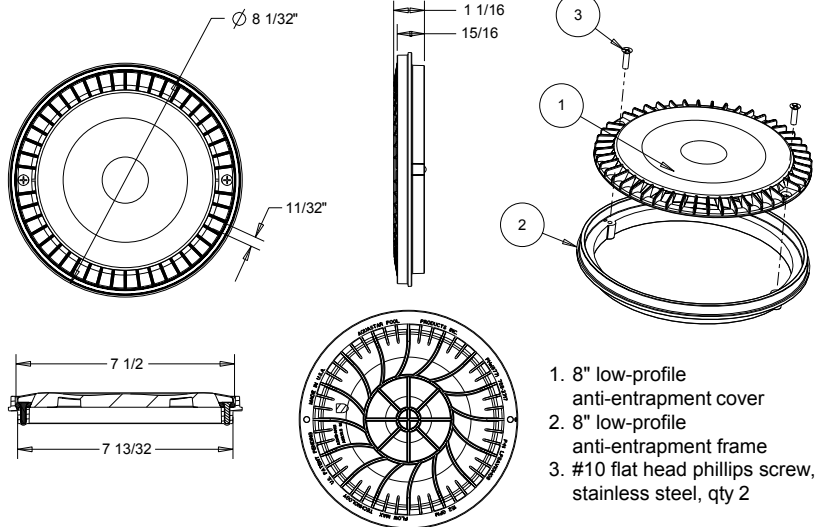
Model # LP8AVxxx

\*Fits: AquaStar (All Pre-VGB 8" Models), American, Pentair, Color Match, Waterway and most Custom Molded (CMP)

#### Part Numbers / Colors

- LP8AV101 White
- LP8AV102 Black
- LP8AV103 Lt. Gray
- LP8AV104 Blue
- LP8AV105 Dk. Gray
- LP8AV106 Bone
- LP8AV107 Taupe
- LP8AV108 Tan

**VGB 2008  
Compliant**



1. 8" low-profile anti-entrapment cover
2. 8" low-profile anti-entrapment frame
3. #10 flat head phillips screw, stainless steel, qty 2

Phone: 800-574-8081 • Fax: 209.745.7179 • AQUASOURCE.COM

★ ★ PROUDLY MADE  
★ ★ IN THE USA