

8" Retrofit Low-Profile Anti-Entrapment Suction Outlet Cover

VGB Series

Product Specification Sheet

The AquaStar line of suction outlet covers, compliant with the new Virginia Graeme-Baker Pool and Spa Safety Act (ASME/ANSI A112.19.8a-2008)

Features

For single or multiple drain use
(see installation instructions)

Single:

Floor: 100 GPM at 4.2 fps
Wall: 70 GPM at 2.9 fps

Dual:

Floor: 100 GPM at 2.1 fps
Wall: 70 GPM at 1.5 fps

Triple system:

Floor: 200 GPM at 2.8 fps
Wall: 140 GPM at 1.9 fps
Floor/wall: 108 GPM at 1.5 fps

7.7 square inch opening

Three sets of different stainless steel screws

Manufactured from superior
UV-resistant engineered polymers

Easily and safely retrofits to most brand's
existing frames and sumps that LP8AVxxx
and 8AVxxx do not fit* (see cross-reference
chart on pages 120-122 and installation
instructions for details)

Patent-pending Flow-Max® technology

Super low profile eliminates cleaner hang-ups

Meets or exceeds NSF 50/ASME/ANSI
A112.19.8a-2008 national standards
and ASTM G154 UV testing

Listed with IAPMO R&T

50 per case



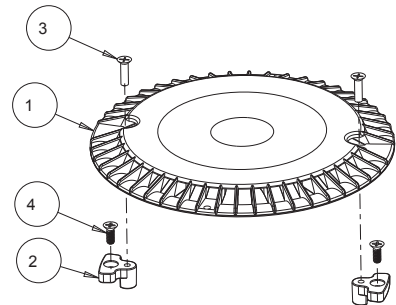
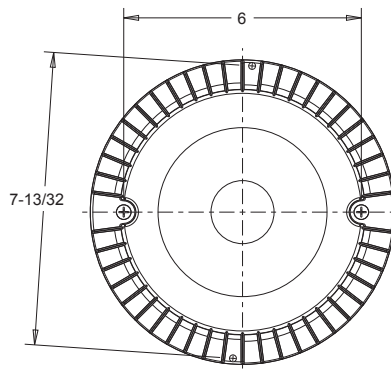
Model # RLP8AVxxx

*Fits: Alloy Brass Foundry (ABF), Afras, Splash, Sta-Rite, Swimquip, Caretaker/
Polaris, Advanced (APP), Hayward and certain Custom Molded (CMP)

Part Numbers / Colors

- RLP8AV101 White
- RLP8AV102 Black
- RLP8AV103 Lt. Gray
- RLP8AV104 Blue
- RLP8AV105 Dk. Gray
- RLP8AV106 Bone
- RLP8AV107 Taupe
- RLP8AV108 Tan

VGB 2008
Compliant



1. 8" super low profile anti-entrapment retrofit cover
2. 8" super low profile anti-entrapment adapter
3. #10 flat head phillips screw
4. 10-24 flat head machine screw, stainless steel