

8" Low-Profile Anti-Entrapment Suction Outlet Cover and Sump

VGB Series

Product Specification Sheet

The AquaStar line of suction outlet covers, compliant with the new Virginia Graeme-Baker Pool and Spa Safety Act (ASME/ANSI A112.19.8a-2008)

Features

For single or multiple drain use
(see installation instructions)

Single

Floor: 100 GPM at 4.2 fps
Wall: 70 GPM at 2.9 fps

Dual

Floor: 100 GPM at 2.1 fps
Wall: 70 GPM at 1.5 fps

Triple system

Floor: 200 GPM at 2.8 fps
Wall: 140 GPM at 1.9 fps
Floor/wall: 108 GPM at 1.5 fps

7.7 square inch opening

Meets or exceeds NSF 50/ASME/ANSI A112.19.8a-2008 national standards and ASTM G154 UV testing

Two extra 1" knock-out ports

#316 stainless steel screws

Includes 2" threaded plug and 2" x 1½" reducer bushing S/S

Listed with IAPMO R&T

8 per case

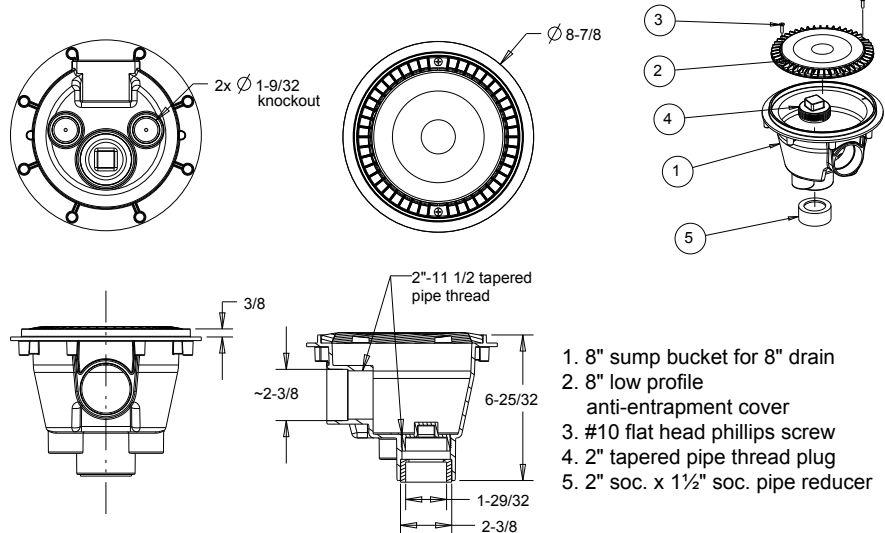


Model # LP8SBxxx

Part Numbers / Colors

- LP8SB101 White
- LP8SB102 Black
- LP8SB103 Lt. Gray
- LP8SB104 Blue
- LP8SB105 Dk. Gray
- LP8SB106 Bone
- LP8SB107 Taupe
- LP8SB108 Tan

**VGB 2008
Compliant**



1. 8" sump bucket for 8" drain
2. 8" low profile anti-entrapment cover
3. #10 flat head phillips screw
4. 2" tapered pipe thread plug
5. 2" soc. x 1½" soc. pipe reducer