

8" Anti-Entrapment Suction Outlet Cover and Sump with Gaskets for Vinyl/Fiberglass

VGB Series

Product Specification Sheet

The AquaStar line of suction outlet covers, compliant with the new Virginia Graeme-Baker Pool and Spa Safety Act (ASME/ANSI A112.19.8a-2008)

Features

For single or multiple drain use
(see installation instructions)

Single

Floor: 88 GPM at 3.2 fps
Wall: 70 GPM at 2.6 fps

(For double and triple systems
see 8AVxxx on page 21)

8.8 square inch opening

Meets or exceeds NSF 50/ASME/ANSI
A112.19.8a-2008 national standards
and ASTM G154 UV testing

Two extra 1" knock-out ports

Permanently attached gasket reduces
gasket alignment problems

#316 stainless steel screws

Includes 2" threaded plug and
2" x 1½" reducer bushing S/S

USPC-listed with IAPMO R&T

8 per case

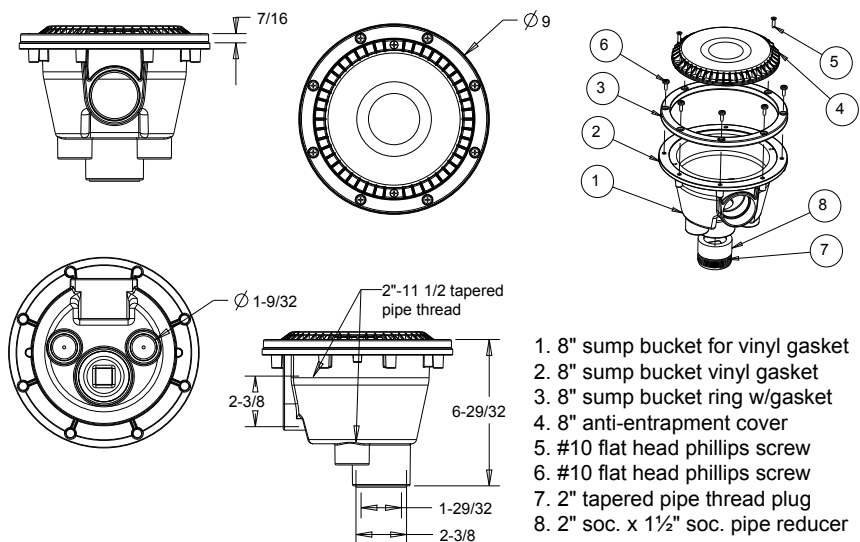


Model # 8SBVxxx

Part Numbers / Colors

- 8SBV101 White
- 8SBV102 Black
- 8SBV103 Lt. Gray
- 8SBV104 Blue
- 8SBV105 Dk. Gray
- 8SBV106 Bone
- 8SBV107 Taupe
- 8SBV108 Tan

**VGB 2008
Compliant**



1. 8" sump bucket for vinyl gasket
2. 8" sump bucket vinyl gasket
3. 8" sump bucket ring w/gasket
4. 8" anti-entrainment cover
5. #10 flat head phillips screw
6. #10 flat head phillips screw
7. 2" tapered pipe thread plug
8. 2" soc. x 1½" soc. pipe reducer