

BW100

Programmable Backwash Controller



INTELLIGENT POWERFUL PROVEN

Clean your filters automatically

Control up to four filters for Automated Backwashing

Backwash based on time of day, differential pressure, or manually

Precise microprocessor based control



MADE IN USA



your
clearest
water
period.

- Customized applications to any size pool
- All units are upgradable in the field
- Five relays -- Programmable to any input
- Programmable - backwash on a time schedule or on differential pressure
- Manual Override - stop or start a backwash at any time

- Fused Protection for all electronics
- 0 to 30 psi differential pressure gauge
- Factory trained technicians
- Unsurpassed Warranty



BW100

Automated Backwash Control



SIMPLY POWERFUL

The BW 100 handles up to four filters to automatically backwash. The BW100 automates backwash for single or multiple filters.

INTELLIGENT

Inside every BW100 is a simple yet sophisticated software platform called Acu-Trol Intelligence. Acu-Trol Intelligence drives all Acu-Trol water quality monitoring and control systems.

SUPERIOR SUPPORT

All Acu-Trol commercial pool and spa products are supported by a highly trained network of technicians and backed by knowledgeable customer service.



Control

Power
110 or 230 VAC

Operating Temperature
0 to +70 °C

Output Relays (5x)
4 24 VAC/Dry/ Primary VAC
1 Status NO/NC

Day Timer and P/C
Backwash initiated by Real Time Clock, Differential Pressure Threshold, or Manual start.

Physical Specifications

Dimension (HxWxD)
10" x 9" x 4"

Weight
4.9 lbs

Material
Watertight Molded Plastic
NEMA 1,2,3,4, 4x, 12,13

Software
All Software can be upgraded in the field.

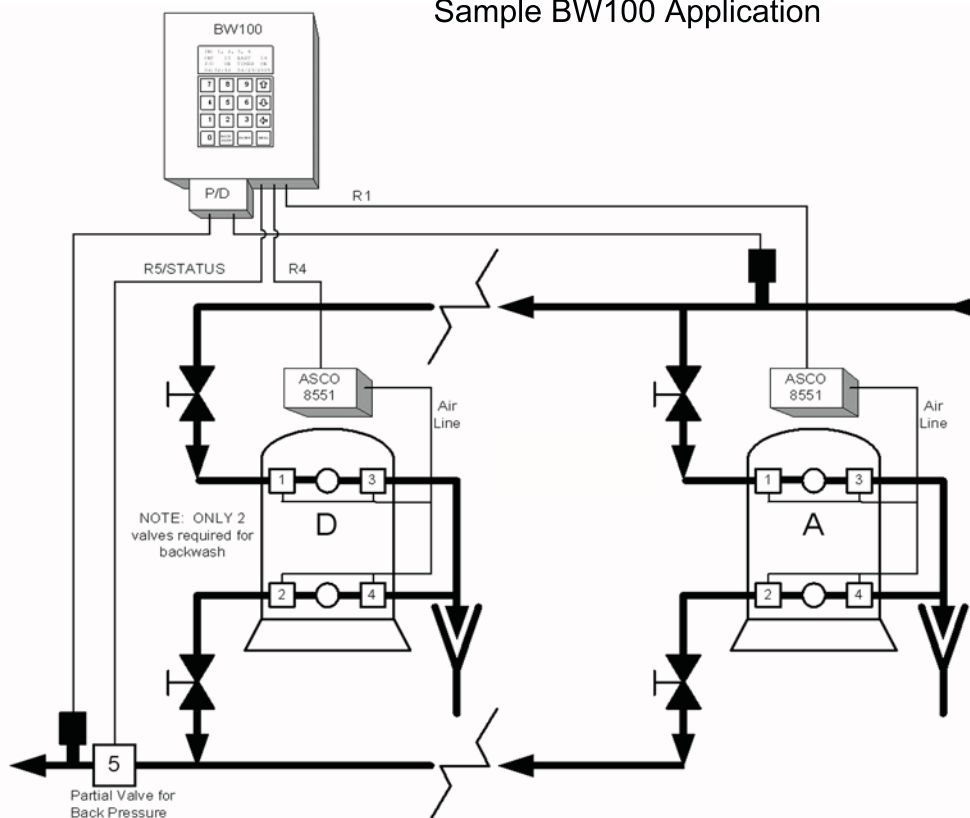
User Interface

Display
4 x 20 Character LCD display with auto-backlight

Interface
Membrane overlay with 16 built-in touch buttons

Support
On site dealer service
Factory Technicians
Detailed manuals
Full product line
2 Year unsurpassed warranty

Sample BW100 Application



Legend

- Manual Isolation Valve
- Sand Filter
- Drain
- Valve Open/ Closed
- Filter Inlet or Outlet
- Pressure Takeoff
- Water Line
- Control Line

ATBW100SS

SUPERIOR CUSTOMER SUPPORT
800 273 4667

FAX: 530 823 9899

www.acu-trol.com
INTELLIGENT | PROVEN | POWERFUL
© Copyright 2003 Acu-Trol, Inc.

